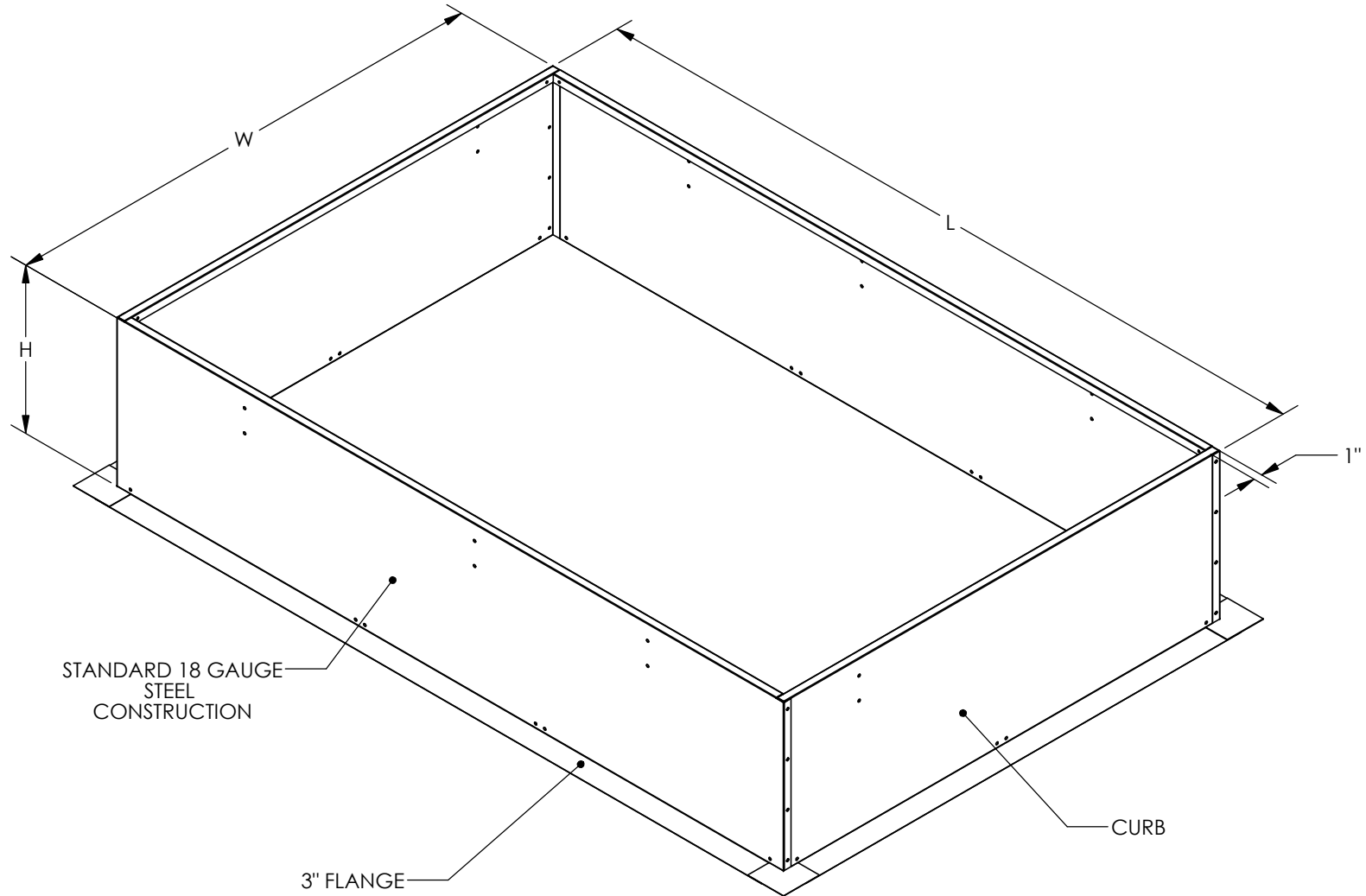
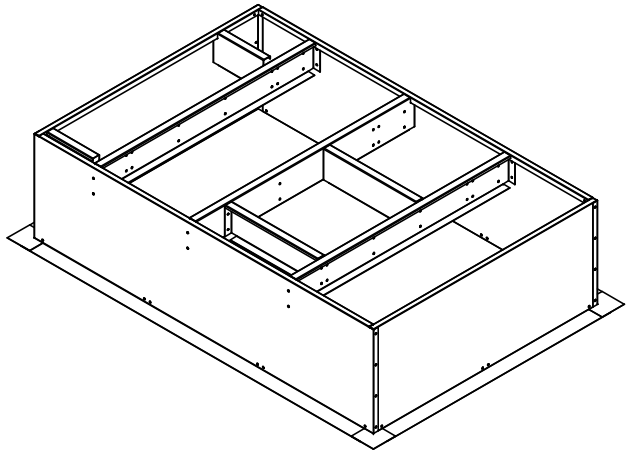
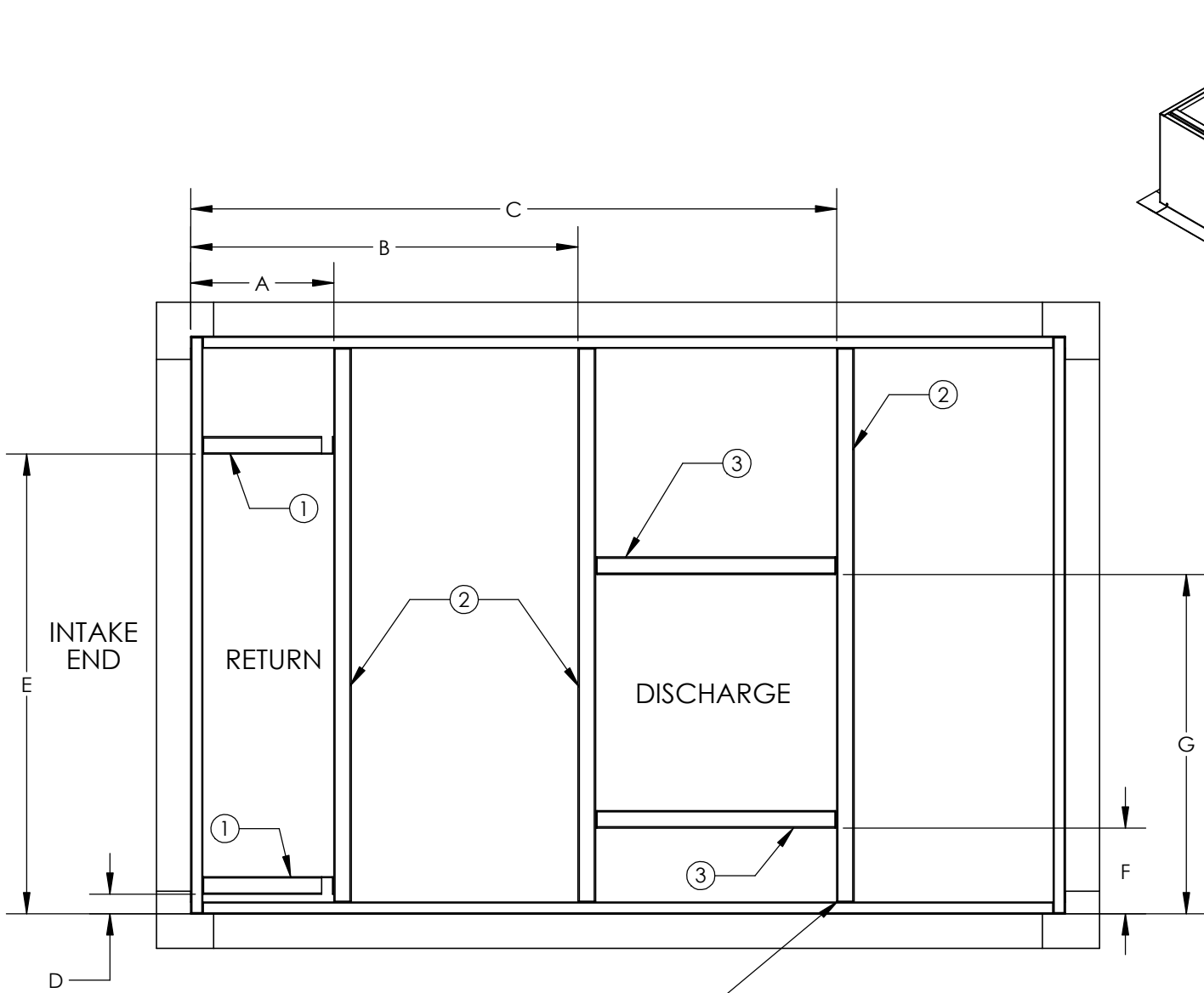


DOAS/RTU Curb Dimensions



	DOAS/RTU Curb Dimensions		
	SIZE 2	SIZE 3	Size 4
H	VARIABLE	VARIABLE	VARIABLE
L	75	91	111
W	49 1/2	59 1/2	80

DOAS/RTU DUCT HANGER



FASTEN DUCT HANGERS USING 1/4"-20x5/8" PAN HEAD PHILLIPS SCREWS (A0005680) AND NUTS (A0005690).

	DOAS/RTU Curb Dimensions		
	SIZE 2	SIZE 3	Size 4
A	12 1/4	16 5/8	15 1/2
B	33 3/8	48 1/8	60 1/8
C	55 1/2	71 5/8	93 7/8
D	1 3/4	N/A	N/A
E	39 1/2	48 3/8	N/A
F	7 3/8	2 3/4	29 3/8
G	29 1/8	43 1/2	70 3/4